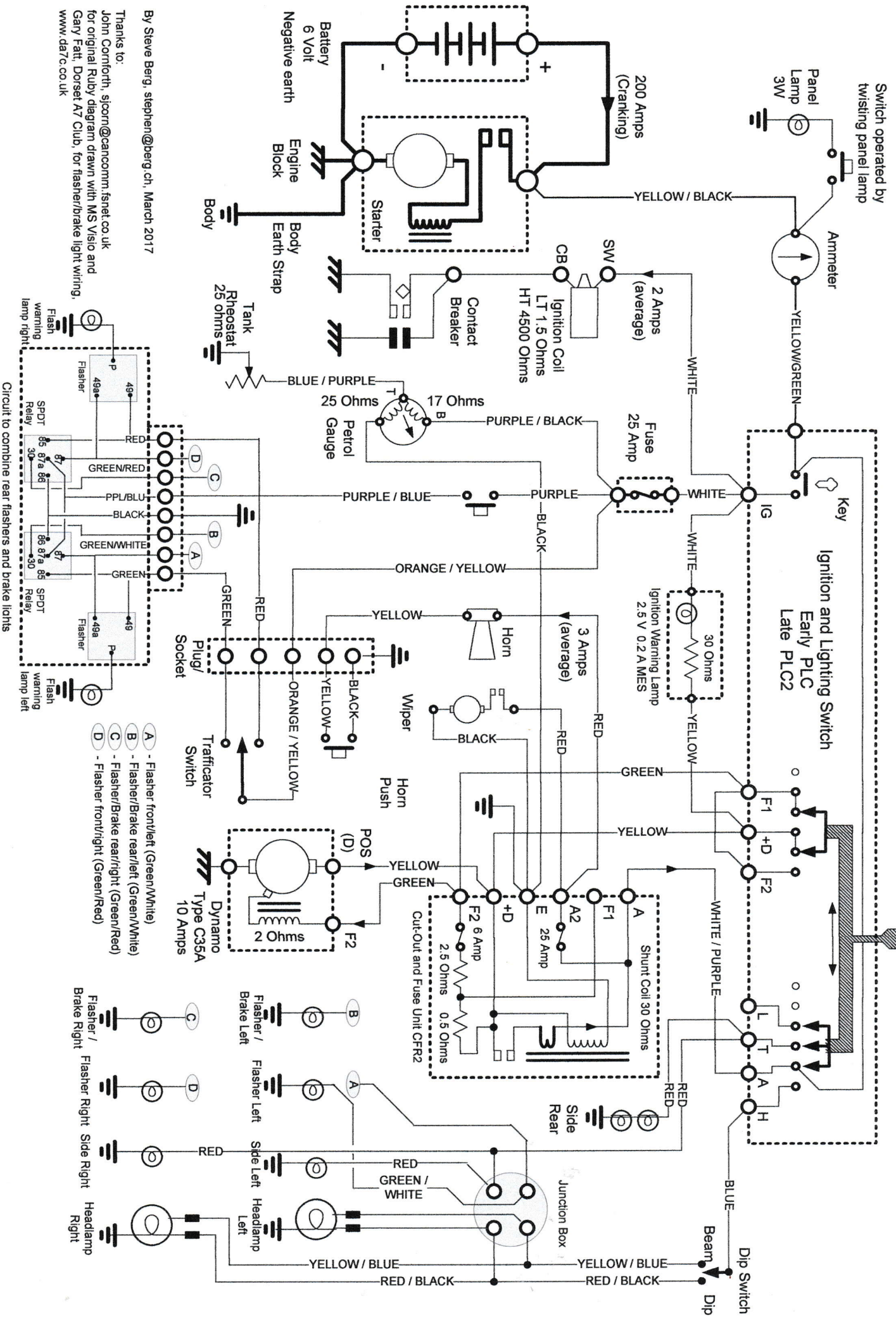


Wiring Diagram for 1936 Austin Seven Nippy EPC 100 as owned by Steve Berg
 (based on Diagram for Ruby ARQ and ARR 1934 to 1939 by John Cornforth)

HALF, FULL, SIDE, HEAD



By Steve Berg, stephen@berg.ch, March 2017

Thanks to:
 John Cornforth, sjcorn@cancomm.fsnet.co.uk
 for original Ruby diagram drawn with MS Visio and
 Gary Fat, Dorset AV Club, for flasher/brake light wiring,
 www.dat7c.co.uk